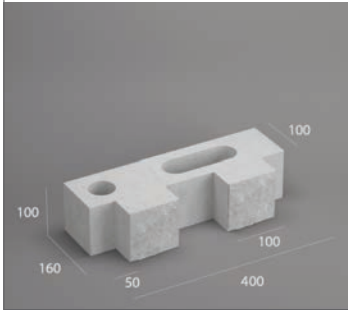


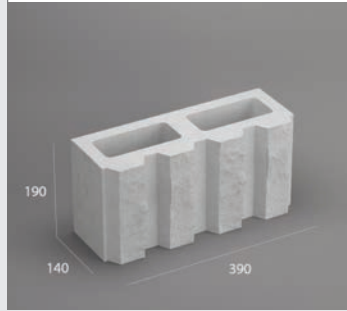
## Checker Split

SF DII 400  
± 9.5 kg

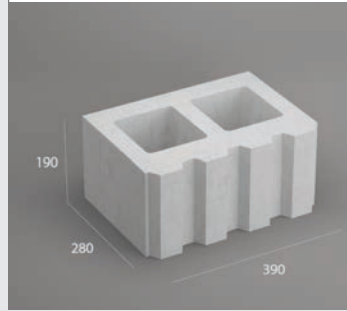


## Fluted Split

FT 140.01  
± 13.0 kg



FT 280.01  
± 28.0 kg



## Project References

