



**SENGDEK<sup>®</sup>**  
YOUR ROOFING SOLUTION



**SENGDEK<sup>®</sup>**

**YOUR  
ROOFING  
SOLUTION**

**FACTORY ADDRESS**

SJ CLASSIC INDUSTRIES SDN. BHD. (434775-H)  
Kg Parit Ju, Mk 4, Simpang Kiri, 83050 Batu Pahat, Johor

**Telephone Number**

07- 418 8888  
07- 418 8889  
07- 418 8880  
07- 418 5852  
07- 418 5853

**Fax Number**

07- 418 5854  
07- 418 6333

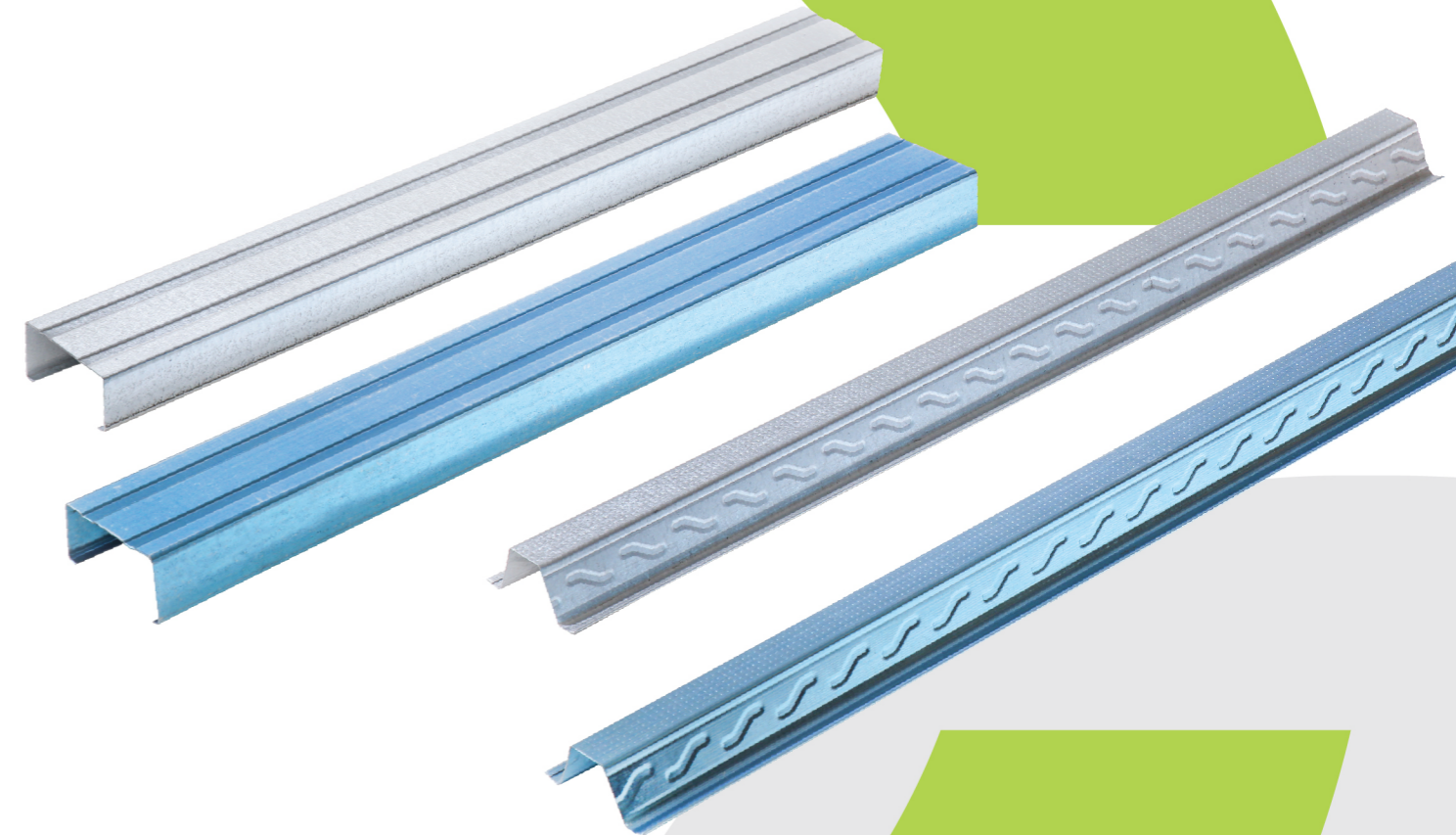
**Website**

[sengdek.com](http://sengdek.com)

**Email**

[enquiry@sjclassic.com](mailto:enquiry@sjclassic.com)

**SENGDEK  
ROOF TRUSS  
SYSTEM**



**SENGDEK**  
SINCE  
1997

# SENGDEK ROOF TRUSS SYSTEM

**SENGDEK Roof Truss System** is engineered to suit almost any roof design. It is manufactured from structure grade galvanized steel with cold-rolling process. It provides builders with a high quality, strong, dimensionally stable and light steel section which is ideal for roofing applications. Its unique configuration delivers superior strength, stiffness and increased load capacity, and produces significant economies in both design and installations.

The C-shaped sections are engineered to be perfectly compatible with one another by box-up, at the same time bringing extra strength, design flexibility and wider spans.

**SENGDEK Roof Truss System** provides a lightweight alternative to conventional mild steel. Among its other advantages, steel trusses offer savings in both material costs and time while delivering a reliable quality products. Steel trusses are increasingly popular with builders because of their consistent quality, dimensional stability and resistance to termite attack.

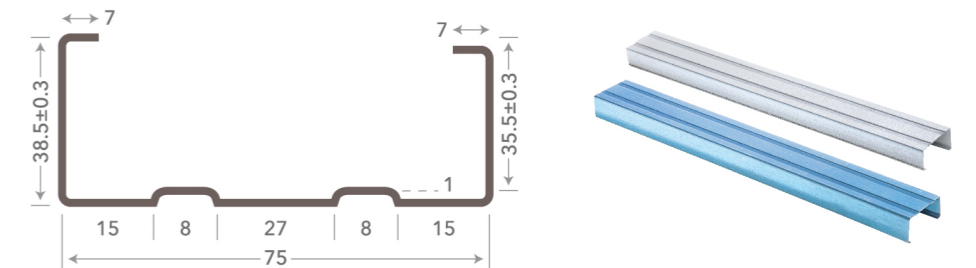
## FEATURE & BENEFITS

- SERVICE PROMISE-QUALITY, COMPETITIVE PRICING, ON TIME DELIVERY.
- QUALITY PRODUCTS AND PROVEN MANUFACTURING AND SUPPLY RECORD.
- HIGH DEGREE OF ACCURACY AND CONSISTENCY IN DIMENSIONS.
- MULTIPLE THICKNESS OPTIONS FOR ECONOMY DESIGN.
- HIGH TENSILE STEEL – DURABLE AND LOW WEIGHT.
- LIGHTWEIGHT AND EASILY HANDLED ON-SITE.

# C ROOF TRUSS SPECIFICATION

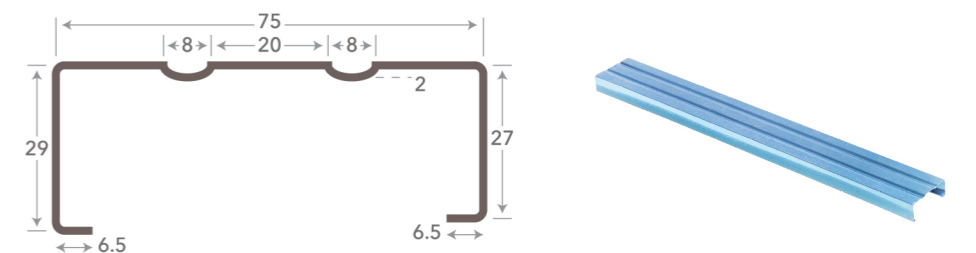
## C-SECTION 153

THICKNESS	AREA	WEIGHT	Ixx	Iyy	Zxx	Zyy	Rxx	Ryy	X	Y
(mm)	(mm <sup>2</sup> )	(kg/m)	10 <sup>4</sup> (mm <sup>4</sup> )	10 <sup>4</sup> (mm <sup>4</sup> )	10 <sup>3</sup> (mm <sup>3</sup> )	10 <sup>3</sup> (mm <sup>3</sup> )	(mm)	(mm)	(mm)	(mm)
0.75	116.9	0.99	10.187	2.012	2.738	0.756	29.5	13.1	11.4	35.8
0.80	124.6	1.05	10.840	2.137	2.914	0.803	29.5	13.1	11.4	35.8
1.00	155.1	1.30	13.421	2.628	3.608	0.988	29.4	13.0	11.4	35.8



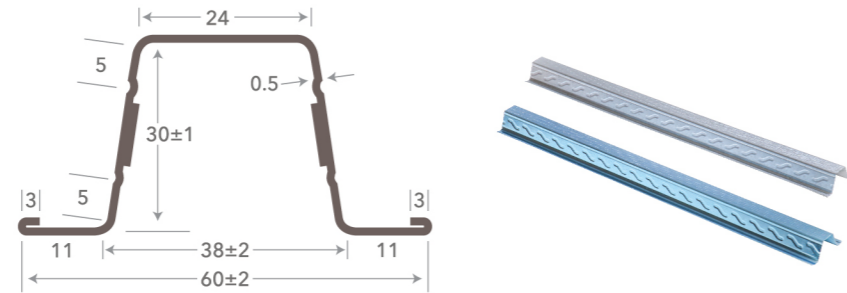
## C-SECTION 135

THICKNESS	AREA	WEIGHT	Ixx	Iyy	Zxx	Zyy	Rxx	Ryy	X	Y
(mm)	(mm <sup>2</sup> )	(kg/m)	10 <sup>4</sup> (mm <sup>4</sup> )	10 <sup>4</sup> (mm <sup>4</sup> )	10 <sup>3</sup> (mm <sup>3</sup> )	10 <sup>3</sup> (mm <sup>3</sup> )	(mm)	(mm)	(mm)	(mm)
0.75	102.4	0.89	7.776	1.023	2.178	0.461	27.6	10.0	8.3	34.3
0.80	109.1	0.94	8.272	1.085	2.317	0.489	27.6	10.0	8.3	34.3
1.00	135.7	1.18	10.226	1.328	2.864	0.598	27.5	9.9	8.3	34.3



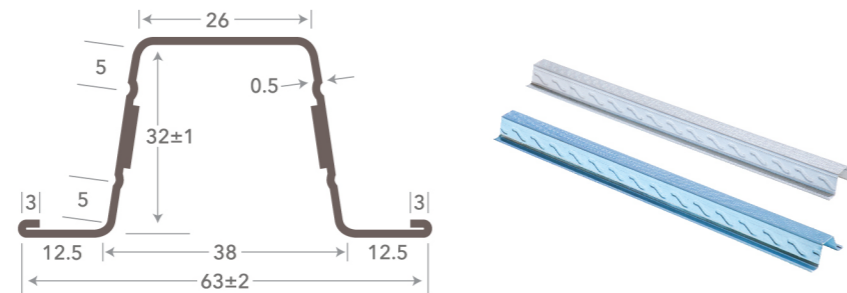
## BATTEN 110

THICKNESS	AREA	WEIGHT	Ixx	Iyy	Zxx	Zyy	Rxx	Ryy	X	Y
(mm)	(mm <sup>2</sup> )	(kg/m)	10 <sup>4</sup> (mm <sup>4</sup> )	10 <sup>4</sup> (mm <sup>4</sup> )	10 <sup>3</sup> (mm <sup>3</sup> )	10 <sup>3</sup> (mm <sup>3</sup> )	(mm)	(mm)	(mm)	(mm)
0.45	48.47	0.44	0.769	1.080	0.480	0.400	12.60	14.93	26.00	15.11
0.50	53.85	0.49	0.865	1.212	0.540	0.450	12.67	14.97	26.00	15.11
0.55	59.24	0.54	0.963	1.346	0.610	0.610	12.75	15.08	26.00	15.11



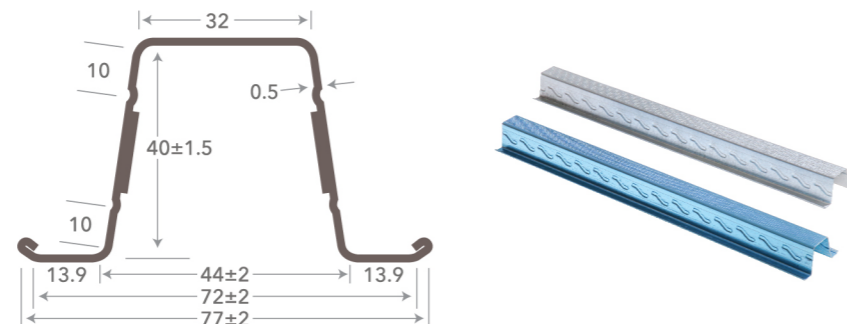
## BATTEN 121

THICKNESS	AREA	WEIGHT	Ixx	Iyy	Zxx	Zyy	Rxx	Ryy	X	Y
(mm)	(mm <sup>2</sup> )	(kg/m)	10 <sup>4</sup> (mm <sup>4</sup> )	10 <sup>4</sup> (mm <sup>4</sup> )	10 <sup>3</sup> (mm <sup>3</sup> )	10 <sup>3</sup> (mm <sup>3</sup> )	(mm)	(mm)	(mm)	(mm)
0.45	55.35	0.48	0.887	1.795	0.530	0.570	12.7	18.0	31.5	15.8
0.50	61.40	0.53	0.985	1.988	0.608	0.631	12.7	18.0	31.5	15.8
0.55	67.50	0.59	1.082	2.181	0.672	0.692	12.7	18.0	31.5	15.8

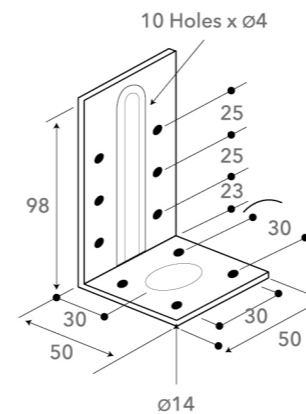
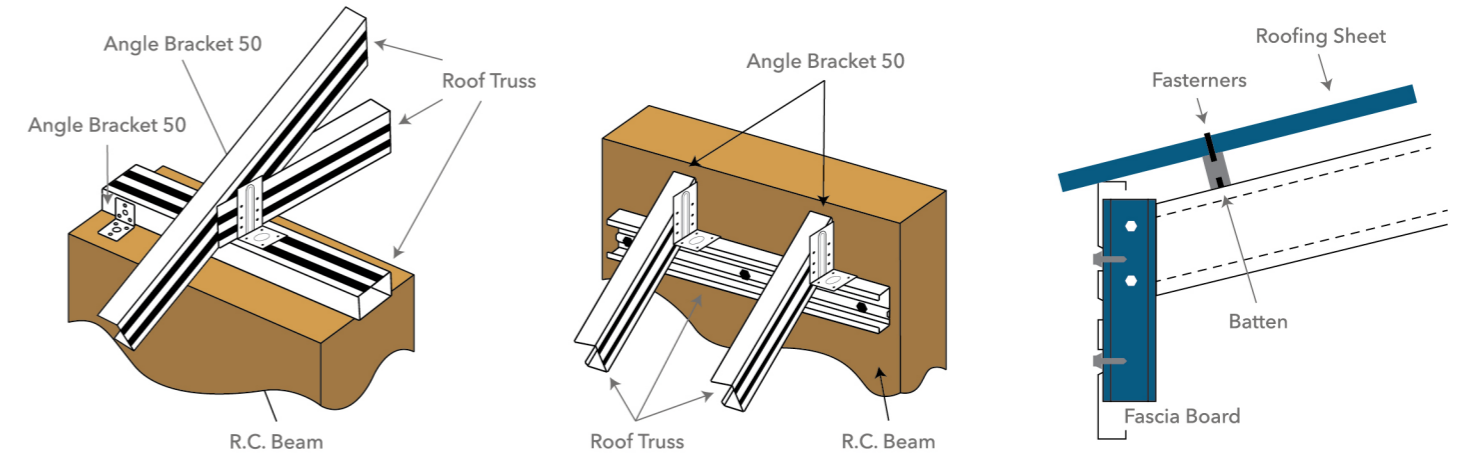


## BATTEN 152

THICKNESS	AREA	WEIGHT	Ixx	Iyy	Zxx	Zyy	Rxx	Ryy	X	Y
(mm)	(mm <sup>2</sup> )	(kg/m)	10 <sup>4</sup> (mm <sup>4</sup> )	10 <sup>4</sup> (mm <sup>4</sup> )	10 <sup>3</sup> (mm <sup>3</sup> )	10 <sup>3</sup> (mm <sup>3</sup> )	(mm)	(mm)	(mm)	(mm)
0.45	67.65	0.60	1.696	3.244	0.820	0.840	15.8	21.9	38.4	19.4
0.50	75.00	0.67	1.882	3.595	0.914	0.931	15.8	21.9	38.4	19.4
0.55	82.40	0.74	2.068	3.943	1.004	1.022	15.8	21.9	38.4	19.4



# TRUSS ACCESSORIES

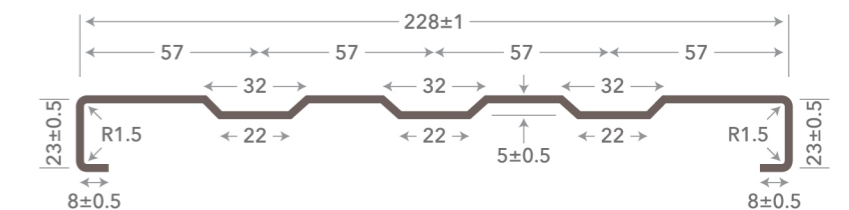
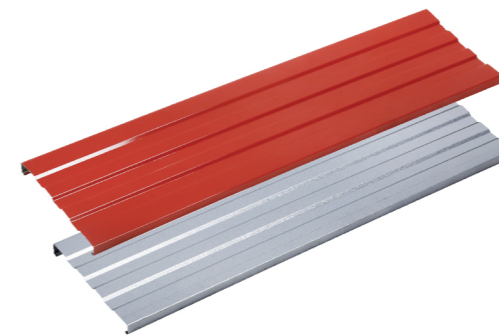


## ANGLE BRACKET

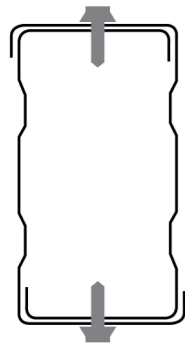
SIZE	THICKNESS (mm)	WEIGHT (kg)	MATERIAL
98 x 50 x 50	1.6	0.087	G.I

## FASCIA BOARD

SIZE (mm)	AVAILABLE THICKNESS (mm)		
	COLOUR	G.I	ALUZINC
228	0.47	*	0.47



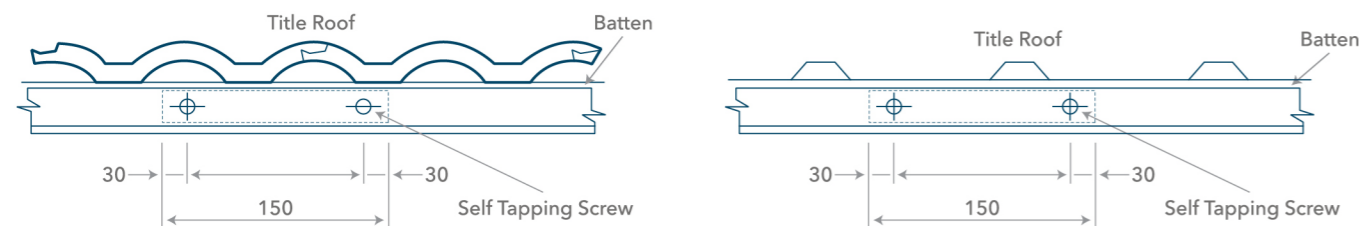
# INSTALLATION GUIDE & PRECAUTIONS



## \* Box-up

The C-shaped steel truss sections box-up bringing extra strength design flexibility and wider spans

## \* Overlaps



Batten overlaps are recommended to be 150mm in length.

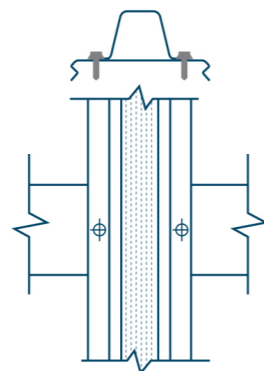
## \* Precautions

Contact between galvanized steel and incompatible materials (e.g. Cooper tube) must be avoided as premature corrosion could happen.

## \* Delivery, Storage, and Handling

- \* Upon delivery, exercise care in unloading, stacking, moving, storing and erecting to prevent twisting, bending, scratching or denting.
- \* Store it in safe, dry environment under waterproof covering. Allow adequate ventilation to prevent condensation.
- \* Trusses should be stored off the ground on a slightly sloped position.

## \* Fixings



Pairs of screw must be fixed in line  
Offset must be avoided.

# BUILD YOUR FUTURE WITH CSC



**SENGDEK** structural series are supplied by the local steel coil manufacturer, CSC. CSC was established and listed on the main market of Bursa Malaysia. It only supplies the best quality of steel coil to the market.

**SENGDEK** structural series are formed by Realzinc™ and Realzinc™ Enhance. These brands are named under CSC, providing the best quality galvanized steel. The concept of “Real” is originated from value of reality and practicality which closely aligned with CSC upright business philosophy, besides communicating the company’s management ways by “making with real and achieving the real”. It also highlights the company’s ambitious in providing steel products that meets the quality standard.

Realzinc™ is the most economical galvanized steel that provides good formability and corrosion resistance. Realzinc™ Enhance is the upgraded version of Realzinc™ with a layer of thin organic coating which provides an extra edge in decelerating oxidation and improves corrosion resistance. It is specially developed for steel roof truss system.

